

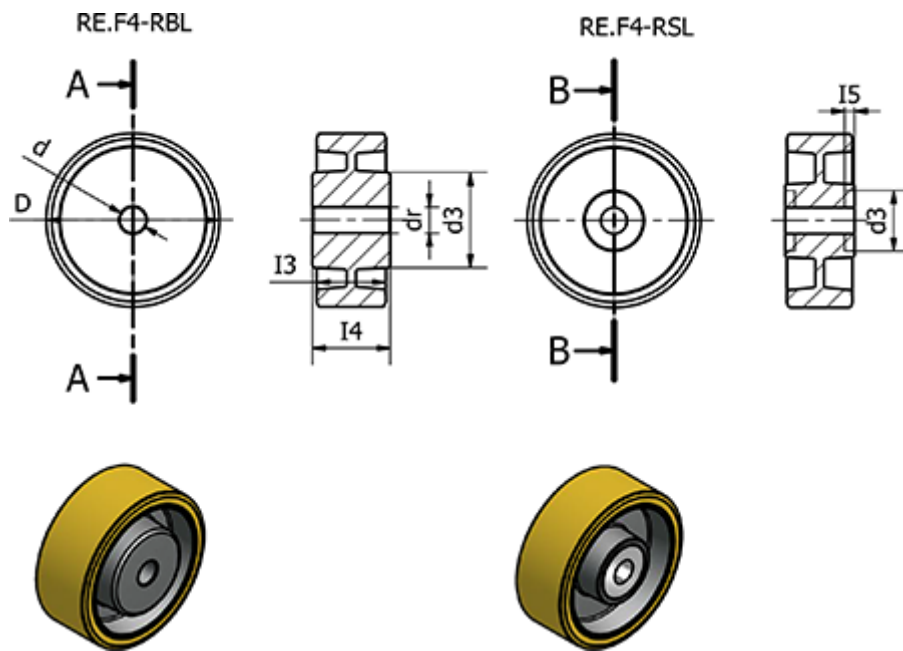
Data Sheet



Article number: 2314451415

Description: E+G Cast iron wheel 451415
RE.F4-200x80-RSL - loose wheel with ball bearings

Measures



Code	= 451415	Max static load (N)	= 20000
d	= 200	Rolling resistance (N)	= 4500
d3	= 62	Type	= RE.F4-200x80-RSL
dr	= -	Weight (g)	= 7260
Dynamic carrying capacity (N)	= 16000		
I3	= 80		
I4	= 86		
I5	= 17		